

# Smart String Inverter

SUN2000-36KTL



## Smart

- 8 strings intelligent monitoring and fast trouble-shooting
- Power Line Communication (PLC) supported
- Smart I-V Curve Diagnosis supported

## Efficient

- Max. efficiency 98.6% (@380 Vac / 400 Vac), European efficiency 98.4% (@380 Vac / 400 Vac)
- 4 MPPTs for versatile adaptations to different layouts

## Safe

- DC disconnect integrated, safe and convenient for maintenance
- Type II surge arresters for both DC and AC
- Residual Current Monitoring Unit (RCMU) integrated inside
- Fuse free design

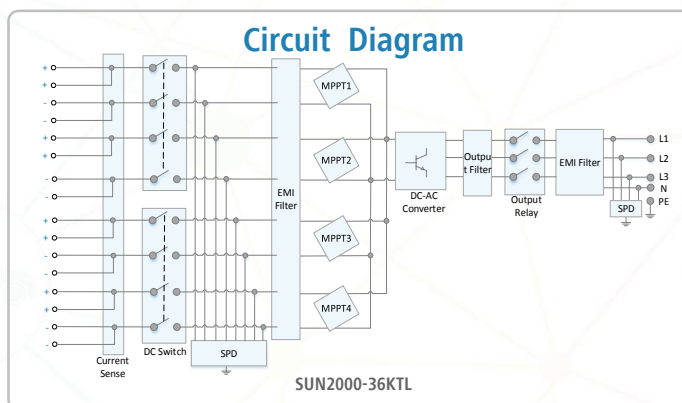
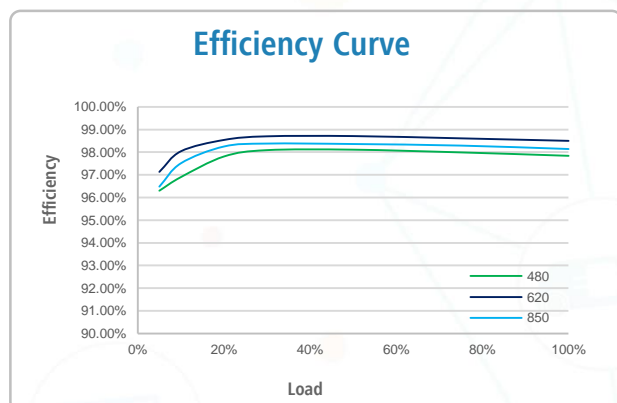
## Reliable

- Natural cooling technology
- Protection rating of IP65

# Smart String Inverter (SUN2000-36KTL)



Technical Specifications	SUN2000-36KTL
	<b>Efficiency</b>
Max. Efficiency	98.6% @ 380 Vac / 400 Vac
European Efficiency	98.4% @ 380 Vac / 400 Vac
	<b>Input</b>
Max. Input Voltage	1,100 V
Max. Current per MPPT	22 A
Max. Short Circuit Current per MPPT	30 A
Start Voltage	250 V
MPPT Operating Voltage Range	200 V ~ 1000 V
Rated Input Voltage	620 V @ 380 Vac / 400 Vac
Max. Number of Inputs	8
Number of MPP Trackers	4
	<b>Output</b>
Rated AC Active Power	36,000 W
Max. AC Apparent Power	40,000 VA
Max. AC Active Power (cosφ=1)	Default 40,000 W; 36,000 W optional in settings
Rated Output Voltage	220 V / 380 V, 230 V / 400 V, default 3W+N+PE; 3W+PE optional in settings
Rated Output Current	54.6 A @ 380 Vac / 52.2 A @ 400 Vac
Rated AC Grid Frequency	50 Hz / 60 Hz
Max. Output Current(@380 V / 400 V)	60.8 A (380 V) / 57.8 A (400 V)
Adjustable Power Factor	0.8 LG ... 0.8 LD
Max. Total Harmonic Distortion	< 3%
	<b>Protection</b>
Input-side Disconnection Device	Yes
Anti-islanding Protection	Yes
AC Overcurrent Protection	Yes
DC Reverse-polarity Protection	Yes
PV-array String Fault Monitoring	Yes
DC Surge Arrester	Type II
AC Surge Arrester	Type II
Insulation Detection	Yes
Residual Current Monitoring Unit	Yes
	<b>Communication</b>
Display	LED Indicators, Bluetooth +APP
USB	Yes
RS485	Yes
PLC	Yes
	<b>General</b>
Dimensions( W x H x D )	930 x 550 x 283 mm (36.6 x 21.7 x 11.1 inches)
Weight (with mounting plate)	62 kg (136.7 lb.)
Operation Temperature Range	-25 °C ~ 60 °C (-13 °F ~ 140 °F)
Cooling	Natural Convection
Max. Operating Altitude	4,000 m (13,123 ft.)
Relative Humidity	0~100%
DC Connector	Amphenol Helios H4
AC Connector	Waterproof PG Terminal + OT Connector
Protection Rating	IP65
Topology	Transformerless
	<b>Standards Compliance</b>
Safety	EN/IEC 62109-1, EN/IEC 62109-2
Grid Code	IEC 61727, IEC62116, VDE-AR-N4105, VDE 0126-1-1, BDEW 2008, G59/3, UTE C 15-712-1, CEI 0-16, CEI 0-21, RD661/2007, RD 1699/2011, RD 413/2014, PO 12.3, EN-50438-Turkey, EN-50438-Ireland, PEA, MEA, Resolution No.7, NRS 097-2-1



The text and figures reflect the current technical state at the time of printing. Subject to technical changes. Errors and omissions excepted. Huawei assumes no liability for mistakes or printing errors. For more information, please visit solar.huawei.com. Version No.-01-(2017)0830